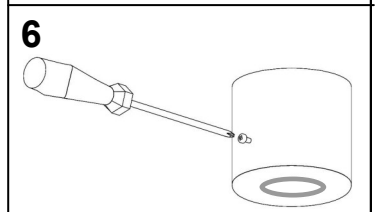
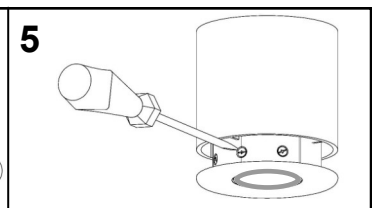
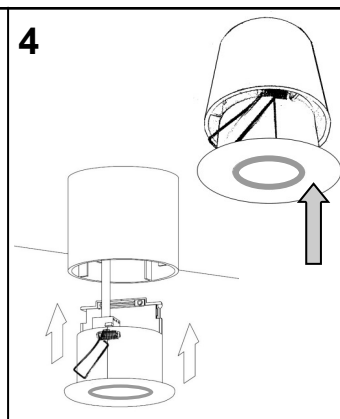
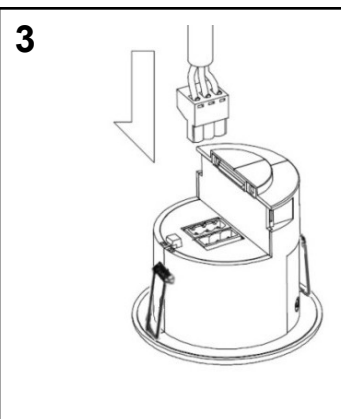
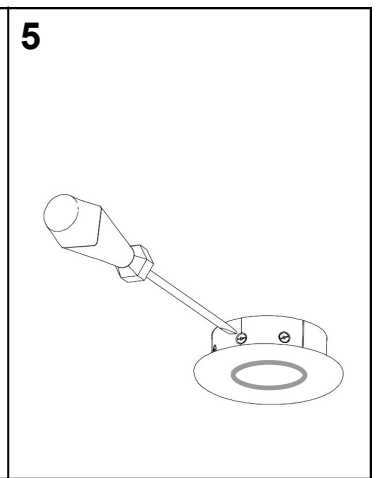
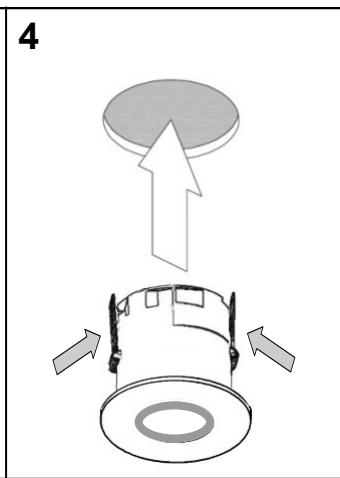
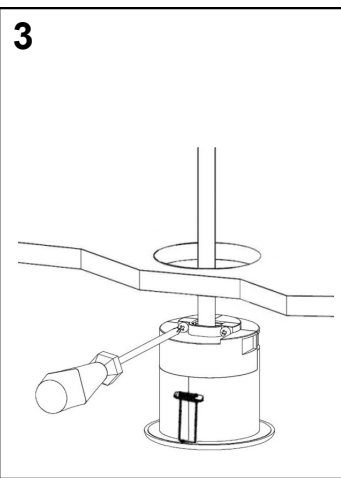


1. Wire the products using the diagram opposite.
2. To switch from more than one position simply wire two or more units in parallel.
3. The detector should be sited so that the occupants of the room fall inside the detection pattern shown in section 5, at a recommended ceiling height of 2.8m. Note that the higher the sensor is installed the shorter the detection range will be.
4. Do not site within 1 metre of any lighting or ventilation equipment.
5. Do not fix to a vibrating surface.
6. Do not fix to a suspended luminaire.
7. Site as far away as possible from the surface of metal objects.
8. Mount using one of the two options overleaf.
9. Connect the sensor via the terminal blocks.
10. Use a small screwdriver to set the LUX level adjuster fully anti-clockwise, the time to minimum (fully clockwise) and the sensitivity to maximum (fully anti-clockwise).
11. Power the unit up—the load should come on immediately.
12. Vacate the room or remain very still and wait for the load to switch off (should take no more than 2 minutes).
13. Check that the load switches on when movement is detected.
14. The LUX thumbwheel determines the ambient light level at which the lights turn on.
15. Select the time using the adjuster, fully anti-clockwise is the maximum.
16. Note: on maximum sensitivity this unit is extremely sensitive to movement and may detect through glass, thin walls or partitions. If this causes a problem reduce the sensitivity by turning the adjuster clockwise.
17. *Using the UHS or UHS3 infra-red handset: the override on button turns the unit on permanently; the override off button turns the unit off permanently; the cancel button cancels the overrides. When an override is selected an LED will flash inside the unit. The UHS handset can also be used to set the lux levels—see Section 4.3*

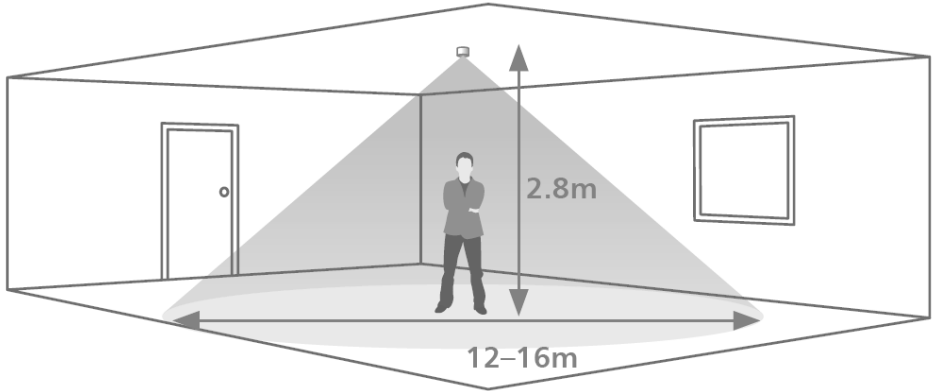
Absence detection

18. To use absence detection a retractive (momentary) switch must be connected between the 2 terminals on the diagram. Note that this will be switching mains voltage.
19. The unit ships with presence detection as default. To change to absence detection, press and release the external switch 5 times within the first minute of power up. The LED will turn on solid for 30 seconds to indicate absence mode has been selected.
20. To change back to presence detection, repeat the above procedure—the LED will flash for 30 seconds to indicate presence mode has been selected.

Note: the above adjustments can also be made using the DD-LCDHS handset instead of the manual adjusters or external switches. See section 4.



5. Detection Patterns



Area of high sensitivity  Area of lower sensitivity 

6. Fault Finding

LOAD DOES NOT COME ON

Check to see if the live supply to the circuit is good.

If the supply and wiring are good, check the LUX level setting. Increase the LUX level setting to allow the controller to turn on at higher ambient natural light level.

LOAD DOES NOT GO OFF

Ensure that the area is left unoccupied for longer than the selected timer setting.

Make sure that the sensor is not adjacent to vibrating surfaces or objects (e.g. ventilation equipment).

The unit may pick up movement through glass, thin partitions or walls. Reduce the sensitivity by turning the adjuster clockwise (or use the handset).

